



 ETHIOPIA OFFICE



 CHINA (Yiwu) OFFICE





BINY BABA BUSINESS GROUP

Consultancy and Logistics

CHINA

ETHIOPIA







BINY BABA BUSINESS GROUP





BINY BABA BUSINESS GROUP



01 Specialize in trading high-quality heavy machinery



Focuses on sourcing top heavy machinery from leading global brands, ensuring quality and reliability.

02 Offer reliable sourcing, maintenance, and global shipping services



Reliable sourcing, expert maintenance, and global shipping to ensure smooth operations.

03 Curated stock of excavators, bulldozers, loaders, and more



Curated inventory of excavators, bulldozers, and loaders for diverse industrial needs.

**BINY BABA
BUSINESS
GROUP**



CONTENTS



ኤክስካቪቲቲ

Caterpillar (ካቴርፒላር),
Komatsu (ኮማቲሱ), Volvo
(ቮልቮ), Hyundai (ሂውንዳይ),
Doosan (ዱዳን), JCB
(ጄ.ሲ.ቢ), Sany (ሳን),
Hitachi (ሂታቺ)



ሎደር

Caterpillar (ካቴርፒላር),
Komatsu (ኮማቲሱ),
Volvo (ቮልቮ), Hyundai
(ሂውንዳይ), Doosan
(ዱዳን), JCB (ጄ.ሲ.ቢ),
Sany (ሳን), Zoomlion
(ዙምላዮን), XCMG
(ኤክስሲኤምጂ)



ቡልዶዘር

Caterpillar (ካቴርፒላር),
Komatsu (ኮማቲሱ),
Shantui (ሻንቲይ),
Liebherr (ሊ.ቤ.ር.ህ.ር.),
XCMG (ኤክስሲኤምጂ)



ክሬን

XCMG (ኤክስሲኤምጂ),
Zoomlion (ዙምላዮን),
Sany (ሳን)



ፎርክሊፍት

Toyota (ቶዮታ),
Caterpillar (ካቴርፒላር),
Komatsu (ኮማቲሱ), Heli
(ኔሊ), Hangcha (ሃንግቻ)





የማዕድን ማሽኖች

Caterpillar (ካቴርፒላር),
Komatsu (ኮማቲሱ),
Sandvik (ሳንድቪክ),
XCMG (ኤክስሲኤምጂ),
Sany (ሳን).



BINNY BABA BUSINESS GROUP

 PC20 PC30 PC40 PC50 PC60 PC80 PC100 PC120 PC130 PC150 PC180 PC200 PC210 PC220 PC240 PC300 PC300-5/6/7/8 PC400-5/6/7/8 PC450 PC600 PC800 PC1250	 SK020SR SK035SR SK045SR K904 K907 SK04N2 SK07N2 SK09N2 SK60 SK100 SK120 SK135 SK200 SK200-5/8 SK220 SK230 SK250 SK250-8 SK300 SK330 SK330-8 SK400
 E70B E120B E200B E320B E320C E240 E300 E320 E330 E450 CAT110 CAT307 CAT308 CAT311 CAT312 CAT215 CAT225 CAT235 CAT322 CAT325 CAT330 CAT345 CAT336 CAT385	 EX22 EX30 EX40 EX60 EX70 EX90 EX100 EX150 EX200 EX220 EX300 EX350 EX400 EX1100 UH045 UH053 UH063 ZAXIS55 ZAXIS230 ZAXIS240 ZAXIS270 ZAXIS330
 HD250 HD400 HD450 HD512 HD550 HD700 HD770 HD800 HD820 HD1203 HD1250 HE1430 HD1880 HD2045 HD2048	 MS30 MS40 MS70 MS110 MS110-8 MS120 MS180 MS180-3 MS240 MS270 MS300-8 MS350 MS380 BD2G
 SH60 SH100 SH120 SH130 SH200 SH210 SH220 SH240 SH260 SH280 SH300 SH330-3 SH340 SH360 SH430 SH450-3 LS2650 SH-2800FJ/FJ2 LF340 LS-4300 LS-5800	 EC18D EC55 EC60C EC80D EC120 EC140 EC170 EC200 EC210 EC210B EC220 EC240 EC250 EC290 EC300 EC350 EC360 EC460 EC480 EC700 EC950
 R55-7/9 R60 R80-7 R130 R140 R140-7 R160-7 R180-7 R200 R200-3 R210 R220 R229 R250 R260 R290 R300 R305 R320 R360 R450 R500 R520	 DH55 DH80 DH130 DH150 DH180 DH200 DH220-3 DH220-5 DH220-7 DH225 DH258 DH280 DH300 DH320 DH330 DH360 DH370 DH400 DH500 DX60 DX225 DX300 DX500
<p>Bulldozers</p> D20 D30 D31 D3C D4D D4H D4E D41 D50 D5H D6N D6D D6C D60 D6H D6R D65 D7G D85 D8H D8K D8N D8R D85ESS-2 D9N BD2G D155 D275 D355 D375A-2 D375A-5	<p>Other models</p> JCB110 JCB110 JCB140 JCB200 JCB220 JCB240 JCB330 NEW HOLLAND E50SR SE130 SE210 SE280 SE350 MX8 MX220

BINNY BABA BUSINESS GROUP



USED EXCAVATOR



USED BULLDOZER



USED WHEEL LOADER



USED BACKHOE LOADER



USED GRADER



USED CRANE



USED ROLLER

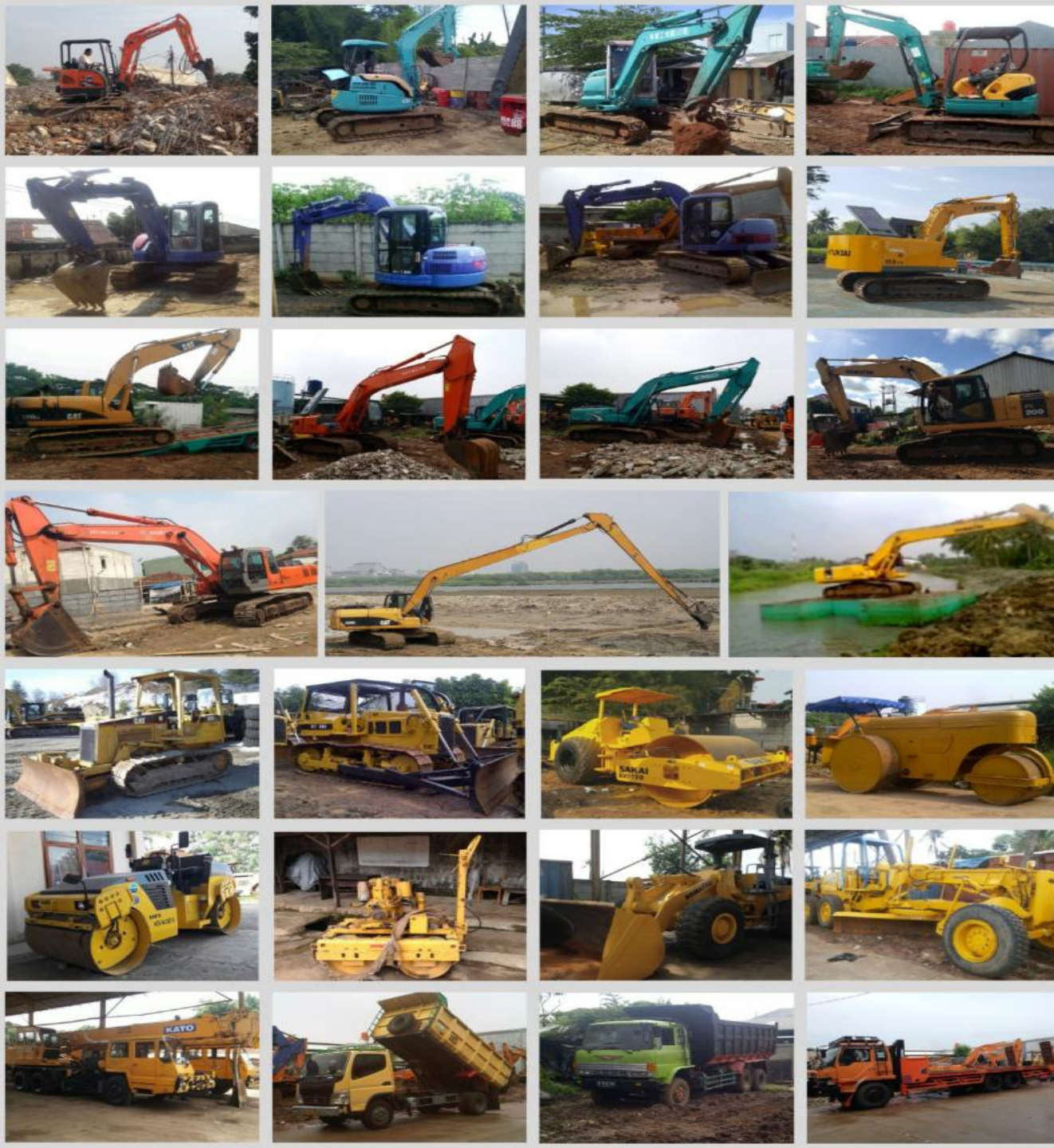


USED TRUCK



USED SKID STEER

BINNY BABA BUSINESS GROUP



BINNY BABA BUSINESS GROUP

ኤክስካቪተሮች



KOMATSU

[View More >](#)



CATERPILLAR®

[View More >](#)



HITACHI

[View More >](#)



SANY

[View More >](#)



DOOSAN

[View More >](#)



VOLVO

[View More >](#)



KOBELCO

[View More >](#)



HYUNDAI

[View More >](#)



Kubota

[View More >](#)



ኤክስካቪተሮች



Brand	Model
CATERPILLAR	CAT303CR, CAT305.5, CAT305.5E2, CAT306, CAT306D, CAT306E2, CAT307D, CAT308, CAT200B, CAT311D, CAT312D, CAT313, CAT320, CAT320C, CAT325C, CAT329, CAT330D, CAT336D, CAT349, CAT340D
KOBELCO	SK50SR, SK55SR, SK60-8, SK130, SK135, SK200, SK200-8, SK210, SK210-8, SK250, SK260, SK260-8, SK350-8
HITACHI	ZX35, ZX5, ZX55USR, ZX60, ZX70, ZX75US, EX60-1, EX60-2, EX60-3, EX60-5, ZX120, ZX120-6, ZX130, ZX170W, ZX200, ZX200-3G, ZX200-6, ZX225US-3, ZX330, ZX350, ZX350-3, ZX360, ZX360H, ZX450, ZX470, ZX490, EX120-5, EX200-5
KOMATSU	PC15, PC20, PC35, PC55, PC60, PC60-7, PC60-8, PC70-8, PC78-6, PC110, PC110-7, PC110-8, PC120-6, PC128US, PC130, PC130-7, PC200, PC200-7, PC200-8, PC220, PC220-7, PC220-8, PC240, PC270, PC300-7, PC350-7, PC360-7, PC360-8, PC400-7, PC450, PC450-8, PC650LC
SANY	SY16, SY18, SY26, SY35, SY55, SY55C, SY60, SY75, SY75C, SY115C, SY155C, SY195C, SY215C, SY200C, SY245C, SY285C, SY305C, SY335C, SY375C
HYUNDAI	R55-7, R60-7, R75, R80-7, R110-7, R130-5, R150-7, R200-5, R210-5D, R215-7, R215-7C, R215-9, R215-9C, R225-7, R225-7C, R305-7, R335-7, R305-9T, R445-7
DOOSAN	DH55, DH55-V, DH60, DH80, DH80G, DX55, DX60, DH150-7, DH150W-7, DH215, DH220, DH225, DH300, DX130, DX150, DX215
VOLVO	EC55, EC60BPRO, EC210B, EC240B, EC290, EC300D, EC360, EC360B, EC380, EC480
Kubota	KX155, KX161, KX-163, KX-165, KX-183, U-10, U-15, U-20, U17, U30-5, U35





HITACHI



ZX350H-3G



ZX350H-5G



ZX350LCH-7G



ZX250LC-6



ZX300LC-6



ZX350LC-6



ZX490LC-6



ZX130-7



ZX135US-7



ZX160LC-7



ZX190LC-7



ZX210LC-6



ZX210LC-7



ZX245USLC-7

HITACHI 5G

ZX240-5G

ZX250H-5G

ZX280-5G

ZX330-5G

ZX350H-5G

Weight: 32.9 t

Transport length: 11.22 m

Bucket capacity: 2.0 m³

Track width: 600 mm

Dredging depth: 7.38 m

Bucket width: 1.36 m

Engine manufacturer: Isuzu

Engine type: AA-6HK1X

Engine power: 184 kW

Weight: 33.5 t

Transport length: 11.22 m

Bucket capacity: 1.38 m³

Track width: 600 mm

Dredging depth: 7.38 m

Bucket width: 1.36 m

Engine manufacturer: Isuzu

Engine type: AA-6HK1X

Engine power: 184 kW

Weight: 33.0 t

Transport length: 11.0 m

Bucket capacity: 1.38 m³

Track width: 600 mm

Dredging depth: 7.38 m

Bucket width: 1.36 m

Engine manufacturer: Isuzu

Engine type: AH-6HK1X

Engine power: 202 kW

Weight: 33.5 t

Transport length: 11.22 m

Bucket capacity: 1.38 m³

Track width: 600 mm

Dredging depth: 7.38 m

Bucket width: 1.36 m

Engine manufacturer: Isuzu

Engine type: AA-6HK1X

Engine power: 184 kW

Weight: 32.9 t

Transport length: 11.22 m

Bucket capacity: 2.0 m³

Track width: 600 mm

Dredging depth: 7.38 m

Bucket width: 1.36 m

Engine manuf.: Isuzu

Engine type: AA-6HK1X

Engine power: 184 kW

ZX350H-5G





Manufacturing date

The Hitachi ZX350H was first manufactured starting in 2017



HITACHI^{5G}

Operational Usage

The excavator has accumulated 6,200 total working hours (5000 + 1200)

Current condition

Fully original condition — engine, hydraulics, boom, undercarriage, and all major components remain factory-fitted with no replacements.

Availability

The excavator is currently in stock with pricing available upon contact, encouraging buyer engagements

HITACHI^{5G}



I



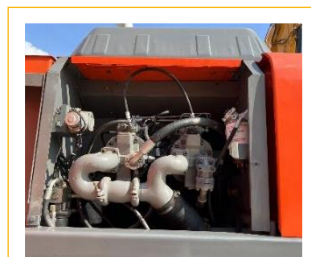
II



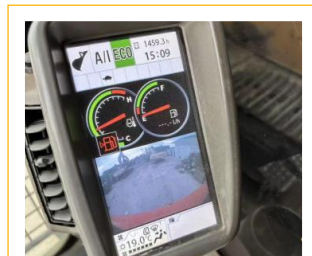
III



IV



Engine



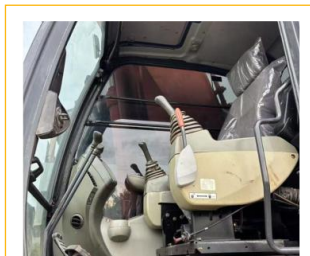
Display



Bucket



Cab



Cab



Speaker

ZX350H



5G

Yard



Yard



Yard



Yard



Yard



Engine



Display



Bucket



Cab



Cab



Speaker



ZX350H



5G



ZX350H



5G



ZX350H



5G



ZX350H



ZX350H

5G



Hitachi ZX350H-5G Specifications

ENGINE

Model	Isuzu AH-6HK1X
Type	4-cycle water-cooled, direct injection
Aspiration	Turbocharged, intercooled
No. of cylinders	6
Rated power	
ISO 9249, net	184 kW (246 HP) at 2 000 min ⁻¹ (rpm)
Piston displacement ..	7.790 L

HYDRAULIC SYSTEM

Hydraulic Pumps

Main pumps	2 variable displacement axial piston pumps
Maximum oil flow ..	2 x 279 L/min

Hydraulic Motors

Travel	2 variable displacement swash plate piston motors
Swing	1 swash plate piston motor

Relief Valve Settings

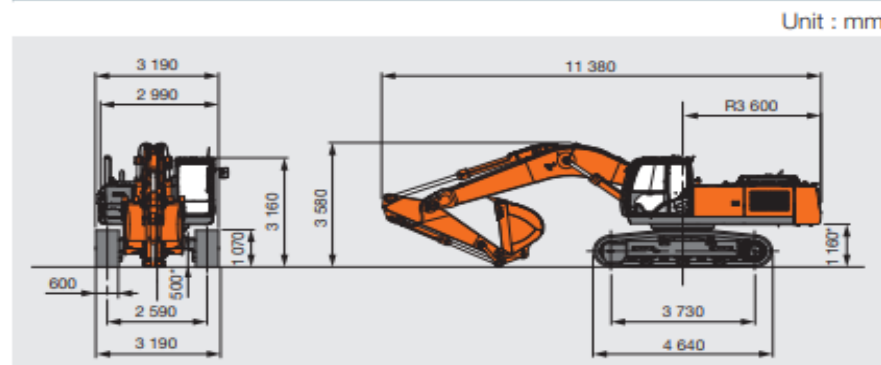
Implement circuit	34.3 MPa (350 kgf/cm ²)
Swing circuit	32.4 MPa (330 kgf/cm ²)
Travel circuit	34.3 MPa (350 kgf/cm ²)

UNDERCARRIAGE

Travel speeds	High / Low : 0 to 4.9 km/h / 0 to 3.1 km/h
Maximum traction force ..	298 kN (30 400 kgf)
Gradeability	70% (35 degree) continuous



DIMENSIONS

HITACHI^{5G}

HYDRAULIC EXCAVATOR

Model Code : ZX350H-5G
Engine Rated Power : 184 kW (246 HP)
Operating Weight : ZX350H-5G : 32 900 kg
Backhoe Bucket : ISO Heaped : 2.00 m ³

SERVICE REFILL CAPACITIES

Fuel tank	630.0 L
Engine coolant	35.0 L
Engine oil	36.0 L
Swing device	15.7 L
Travel device (each side)	9.2 L
Hydraulic system	340.0 L
Hydraulic oil tank	180.0 L

BUCKET

Capacity		Width		No. of teeth	Weight
ISO heaped	CECE heaped	Without side cutters	With side cutters		
2.00 m ³	1.57 m ³	1 570 mm	1 630 mm	6	1 670 kg

ZX350H

5G



ZX330-5G





ZX330-5G

01

Manufacturing date

The Hitachi ZX330-5g was first manufactured starting in 2015

02

Operational usage

The excavator has accumulated 6,200 total working hours (5000 + 1200)

03

Current condition

Fully original condition — all major components remain factory-fitted with no replacements.

04

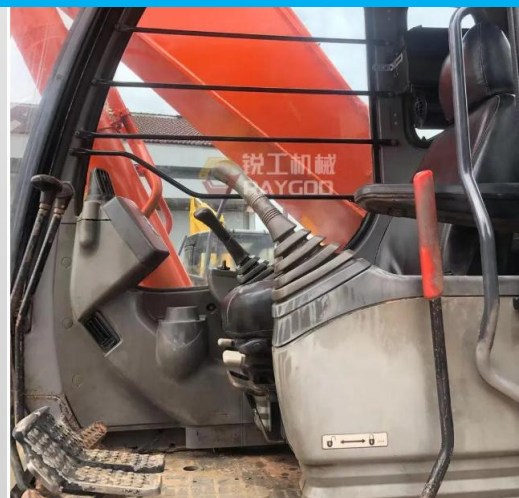
Availability

The excavator is currently in stock with pricing available upon contact, encouraging buyer engagements

05

Key features

Features include GPS-ready blade, robust frame, and easy maintenance facilitating efficient operations.



ZX330-5G





ENGINE

Model	Isuzu AA-6HK1X
Type	4-cycle water-cooled, direct injection
Aspiration	Turbocharged, intercooled
No. of cylinders	6
Rated power	
ISO 9249, net	184 kW (246 HP) at 2 000 min ⁻¹ (rpm)
SAE J1349, net	184 kW (246 HP) at 2 000 min ⁻¹ (rpm)
Maximum torque	873 Nm (89.0 kgfm) at 1 700 min ⁻¹ (rpm)
Piston displacement ..	7.790 L
Bore and stroke	115 mm x 125 mm
Batteries	2 x 12 V / 128 Ah

HYDRAULIC SYSTEM**Hydraulic Pumps**

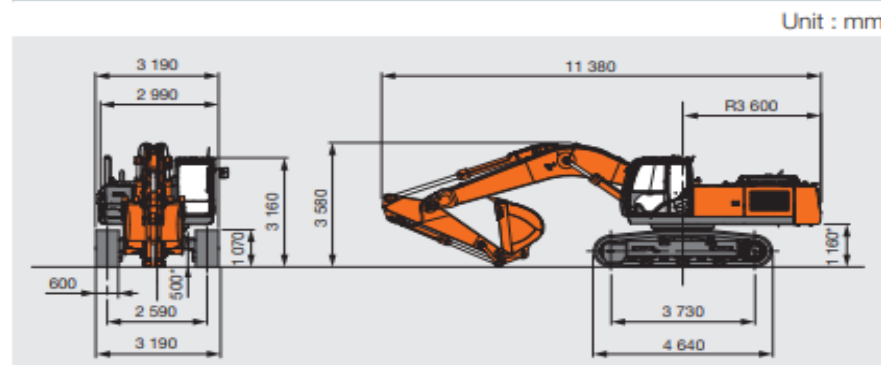
Main pumps	2 variable displacement axial piston pumps
Maximum oil flow ..	2 x 279 L/min
Pilot pump	1 gear pump
Maximum oil flow ..	32.8 L/min

Hydraulic Motors

Travel	2 variable displacement 1 axial piston motor
Swing	1 axial piston motor

Relief Valve Settings

Implement circuit	34.3 MPa (350 kgf/cm ²)
Swing circuit	32.4 MPa (330 kgf/cm ²)
Travel circuit	34.8 MPa (355 kgf/cm ²)
Pilot circuit	3.9 MPa (40 kgf/cm ²)
Power boost	38.0 MPa (388 kgf/cm ²)

Hitachi ZX330-5G Specifications**DIMENSIONS****HITACHI^{5G}****HYDRAULIC EXCAVATOR**

Model Code : ZX330-5G / ZX330LC-5G / ZX350H-5G / ZX350LCH-5G ZX350K-5G / ZX350LCK-5G
Engine Rated Power : 184 kW (246 HP)
Operating Weight : ZX330-5G : 31 500 kg / ZX330LC-5G : 32 100 kg ZX350H-5G : 33 500 kg / ZX350LCH-5G : 34 100 kg ZX350K-5G : 34 100 kg / ZX350LCK-5G : 34 700 kg
Backhoe Bucket : ISO Heaped : 1.15 - 1.62 m ³

UNDERCARRIAGE**Tracks**

Heat-treated connecting pins with dirt seals. Hydraulic (grease) track adjusters with shock-absorbing recoil springs.

Numbers of Rollers and Shoes on Each Side

Upper rollers	2
Lower rollers	7 : ZX330-5G/ZX350H-5G/ZX350K-5G 8 : ZX330LC-5G/ZX350LCH-5G/ ZX350LCK-5G
Track shoes	45 : ZX330-5G/ZX350H-5G/ZX350K-5G 48 : ZX330LC-5G/ZX350LCH-5G/ZX350LCK-5G
Track guard	3 : ZX330-5G/ZX330LC-5G/ZX350K-5G/ ZX350LCK-5G
Full track guard : ZX350H-5G/ZX350LCH-5G	

SERVICE REFILL CAPACITIES

Fuel tank	630.0 L
Engine coolant	35.0 L
Engine oil	41.0 L
Swing device	15.7 L
Travel device (each side)	9.2 L
Hydraulic system	340.0 L
Hydraulic oil tank	180.0 L

ZX330-5G



ZX240-3G



HITACHI ZX240



HITACHI ZX240



HITACHI ZX240







352 - Tier 4

Net Power - ISO
9249

443 hp

Operating Weight
107800 lbMaximum
Digging Depth

26.11 ft

336 - Tier 4

Net Power - ISO
9249

300 hp

Operating Weight
81100 lbMaximum
Digging Depth

26.11 ft

340 - Tier 4

Net Power - ISO
9249

346 hp

Operating Weight
83100 lbMaximum
Digging Depth

26.9 ft

350 - Tier 4

Net Power - ISO
9249

413 hp

Operating Weight
105100 lbMaximum
Digging Depth

26.11 ft

374 - Tier 4

Net Power - ISO
9249

484 hp

Operating Weight
162900 lbMaximum
Digging Depth

28.1 ft

374 - Tier 4

Net Power - ISO
9249

542 hp

Operating Weight
207400 lbMaximum
Digging Depth

31.9 ft



CAT 349



CAT349

Manufacturing Date

2019 model year, mid-production batch.

Operation Usage (Working Hours)

Approx. 6,200 total machine hours.

Key features

High digging force, fuel-efficient engine, advanced hydraulic system, and operator-friendly cabin.

01

02

03

04

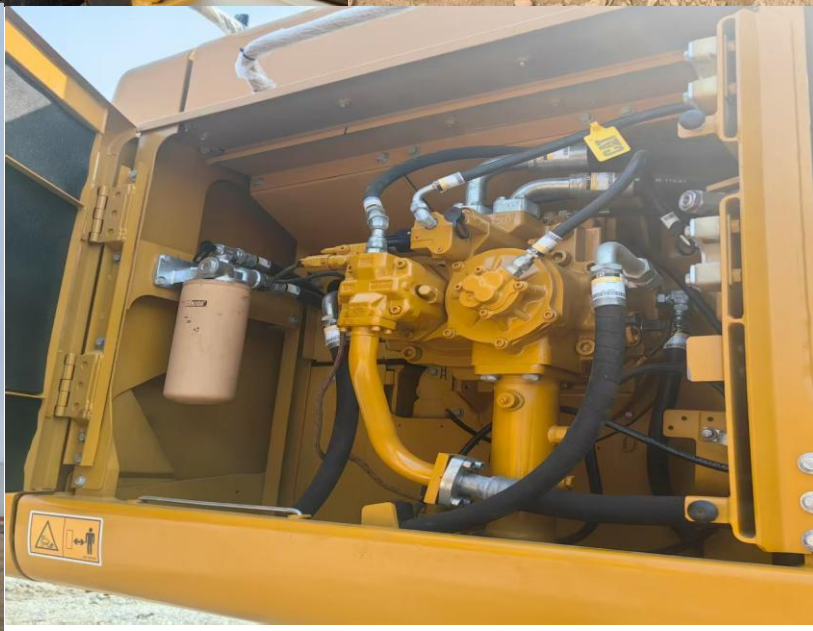
05

Current Condition

Well-maintained, no major replacements, minor cosmetic wear.

Availability

Ready for immediate shipment, located in main yard.



CAT349

CAT349

Specs

Category	Specification
Engine & Performance	Engine: Cat C13 Net Power: 424 hp (316 kW) Operating Weight: 105,200–108,900 lb (47,700–49,400 kg) Fuel Efficiency: Up to 10% more fuel efficient than 349F Power Modes: Power, Smart, Eco
Working Ranges & Forces	Max Digging Depth: 25.1 ft (7.66 m) +Max Reach at Ground Level: 38.5 ft (11.73 m) +Bucket Capacity: 3.08 m ³ (4.03 yd ³) +Bucket Digging Force: 60,250 lbf (268 kN)
Hydraulic System	Max Flow: 779 L/min (206 gal/min) Max Pressure: 5,076 psi (35,000 kPa)
Dimensions	Shipping Height: 10.6 ft (3.23 m) Shipping Length: 39.1 ft (11.92 m) Transport Width: 11.9 ft (3.64 m)
Key Features	Integrated Cat GRADE 3D & PAYLOAD Advanced cab with climate control & reduced vibration Ample storage E-Fence & Lift Assist safety features Built-in radio, USB, Bluetooth®

Engine		
Engine Model	Cat® C13	
Net Power – ISO 9249	316 kW	424 hp
Engine Power – ISO 14396	317 kW	425 hp
Bore	130 mm	5 in
Stroke	157 mm	6 in
Displacement	12.5 L	763 in ³
<ul style="list-style-type: none"> • Meets Japan 2014 (Tier 4 Final) emission standards. • Recommended for use up to 4500 m (14,764 ft) altitude with engine power derate above 2600 m (8,530 ft). • Net power is tested per ISO 9249. Standards in effect at the time of manufacture. • Net power advertised is the power available at the flywheel when the engine is equipped with fan, air intake system, exhaust system and alternator. • Rated speed at 1,800 rpm. 		

Engine rpm		
Operation	1,650 rpm	
Travel	1,800 rpm	

Swing Mechanism		
Swing Speed	8.44 rpm	
Maximum Swing Torque	187 kN·m	138,000 lbf·ft

Weights		
Operating Weight	47 700 kg	105,300 lb
<ul style="list-style-type: none"> • Reach boom, R3.35TB (11'0") stick, HD 1.90 m³ (2.48 yd³) bucket, 600 mm (24") double grouser shoes, 9.0 t (19,842 lb) counterweight. 		

Track		
Track Shoes Width	750 mm	30 in
Track Shoes Width	600 mm	24 in
Number of Shoes (each side)	52	
Number of Track Rollers (each side)	9	
Number of Carrier Rollers (each side)	2	

Drive		
Gradeability	35°/70%	
Maximum Travel Speed	4.8 km/h	3.0 mph
Maximum Drawbar Pull	335 kN	75,311 lbf

Hydraulic System		
Main System – Maximum Flow – Implement	779 L/min (389 × 2 pumps)	206 gal/min (103 × 2 pumps)
Maximum Pressure – Equipment – Implement	35 000 kPa	5,076 psi
Maximum Pressure – Travel	35 000 kPa	5,076 psi
Maximum Pressure – Swing	26 000 kPa	3,771 psi
Boom Cylinder – Bore	170 mm	7 in
Boom Cylinder – Stroke	1524 mm	60 in
Stick Cylinder – Bore	190 mm	7 in
Stick Cylinder – Stroke	1758 mm	69 in
TB Bucket Cylinder – Bore	160 mm	6 in
TB Bucket Cylinder – Stroke	1356 mm	53 in

CAT390





CAT345

CAT345











CAT336





CAT323



CAT336

Manufacturing date

2020 model

Working hours

4,300 total hours

Current condition

Well-maintained, no major replacements, minor cosmetic wear.

Stock

In stock, ready for dispatch

Key features

Fuel-efficient engine, advanced hydraulic system, high productivity, and operator comfort.







PC360LCi-11

Horsepower (HP) 257 HP @ 1,950 rpm

Operating weight (lbs) 78,645 - 80,547

Bucket capacity (yd³) 0.89 - 2.56



PC360LC-11

Horsepower (HP) 257 HP @ 1,950 rpm

Operating weight (lbs) 78,645 - 80,547

Bucket capacity (yd³) 0.89 - 2.56



PC360LC-11 SLF

Horsepower (HP) 257 HP @ 1,950 rpm

Operating weight (lbs) 80,263 - 81,938

Bucket capacity (yd³) 1.25



PC360LC-11 WH

Horsepower (HP) 257 HP @ 1,950 rpm

Operating weight (lbs) 78,645 - 80,547

Max lift capacity (lbs) 45,280



PC390LC-11 SLF

Horsepower (HP) 257 HP @ 1,950 rpm

Operating weight (lbs) 89,941 - 92,014

Bucket capacity (yd³) 1.25



HB365LC-3

Horsepower (HP) 269 HP @ 1,950 rpm

Operating weight (lbs) 81,791 - 85,495

Bucket capacity (yd³) 0.89 - 2.56



PC390LCi-11

Horsepower (HP) 257 HP @ 1,950 rpm

Operating weight (lbs) 87,867 - 90,441

Bucket capacity (yd³) 0.89 - 2.91



PC390LC-11

Horsepower (HP) 257 HP @ 1,950 rpm

Operating weight (lbs) 87,867 - 90,441

Bucket capacity (yd³) 0.89 - 2.91



PC390LC-11 MH

Horsepower (HP) 257 HP @ 1,950 rpm

Grapple capacity (yd³) 1.25

Maximum reach (ft) 46 - 48



PC390LC-11 WH

Horsepower (HP) 257 HP @ 1,950 rpm

Operating weight (lbs) 87,867 - 90,441

Max lift capacity (lbs) 44,700



PC450





PC450





PC400





PC400





PC800LC-8EO













HYUNDAI ROBEX 330 LC-9S

BINY BABA BUSINESS GROUP



1

CATERPILLAR

906M, 950 GC, 966 XE, 992

2

KOMATSU

WA270-8, WA380-8, WA500-8, WA900-8

3

VOLVO

L30, L90H, L120 Electric, L350H

4

JCB

3DX, 4DX, 437, TM420

5

HYUNDAI

HL940A, HL955A, HL970A, HL980A

6

KABOTA

SVL65-2, SVL97-3, R530, LK2100H

7

XCMG

LW300FN, LW500F, LW600KN, LW1200KN

8

SANY

W405K, SW465K, SW955, SW956

9

LIUGONG

856H, 890H, 848H, 8128H.





XC918U
 Engine Power: 72.0 hp
 Operating Weight: 13,889.1 lb
 Bucket Capacity: 1.3 yd³



XC7-TV12
 Engine Power: 72 hp
 Bucket Capacity: .78 yd³



XC938U
 Engine Power: 133 hp
 Operating Weight: 29,762 lb.
 Bucket Capacity: 2.49 yd³



XC958U
 Engine Power: 225.2 hp
 Operating Weight: 40,810 lb.
 Bucket Capacity: 4.58 yd³



XC968U
 Engine Power: 295 hp
 Bucket Capacity: 4.6 yd³





XC956



XC956











CHINA

ETHIOPIA







